

PhostrEx™

Ozone Safe Fire Suppression Technology



PhostrEx™ is a halon-free fire suppression agent certified by the EPA, FAA, and EASA, and compliant with international environmental protection standards. Designed as an alternative to traditional halon systems, **PhostrEx™** has zero Ozone Depletion Potential (ODP) and does not contribute to global warming.

When the **PhostrEx™** agent released from its hermetically sealed canister, it rapidly stops the combustion process, extinguishing fire in less than one-tenth of a second. After discharge, it reacts with moisture in the air and quickly becomes inert. In fire conditions, **PhostrEx™** decomposes up to 1,000 times faster than halon.

The **PhostrEx™** Fire Suppression Canister (shown at left) is available for sale worldwide. **PhostrEx™ would like to collaborate with you** to incorporate the **PhostrEx™** fire extinguishing system into your new projects or to provide a green replacement for existing halon-based fire suppression systems.

Features and Benefits

- Lighter and more effective than Halon
- Safer low-pressure canisters
- Lower maintenance costs
- Proven by fire testing
- Environmentally friendly
- Simple two-clamp installation
- Certified aviation compliant



Eclipse Aerospace, Inc.

<https://www.eclipse.aero/eclipse/environment>

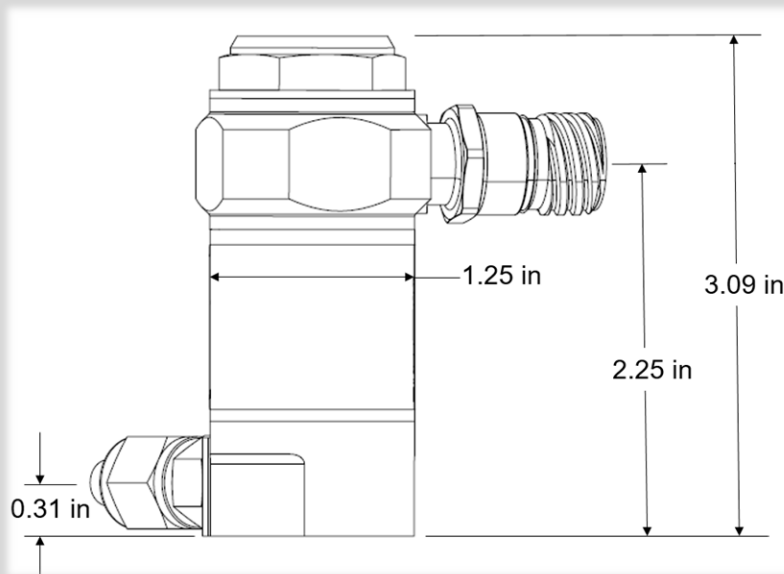
ECCN: EAR99



Ozone Safe Fire Suppression Technology

PhostrEx™ Fire Extinguishing Canister Data

- Eclipse part number 26-123127-1001
- Operation and storage ambient temperatures of -65°F to 210°F
- Operating altitudes from 0 to 50,000 ft
- Weight: less than 0.80 lbs
- Stainless steel construction
- Maintenance free installation for 8 years
- Standard electrical and tube fitting connections
- Qualified by RTCA DO-160 environmental testing
- Top mounted pressure gauge
- Electrically activated gas generator
- Basic dimensions provided below



For additional information or to start a new project, please contact:

Eclipse Propulsion Systems

Email: PhostrEx@eclipse.aero

Eclipse Aerospace, Inc.

<https://www.eclipse.aero/eclipse/environment>

ECCN: EAR99